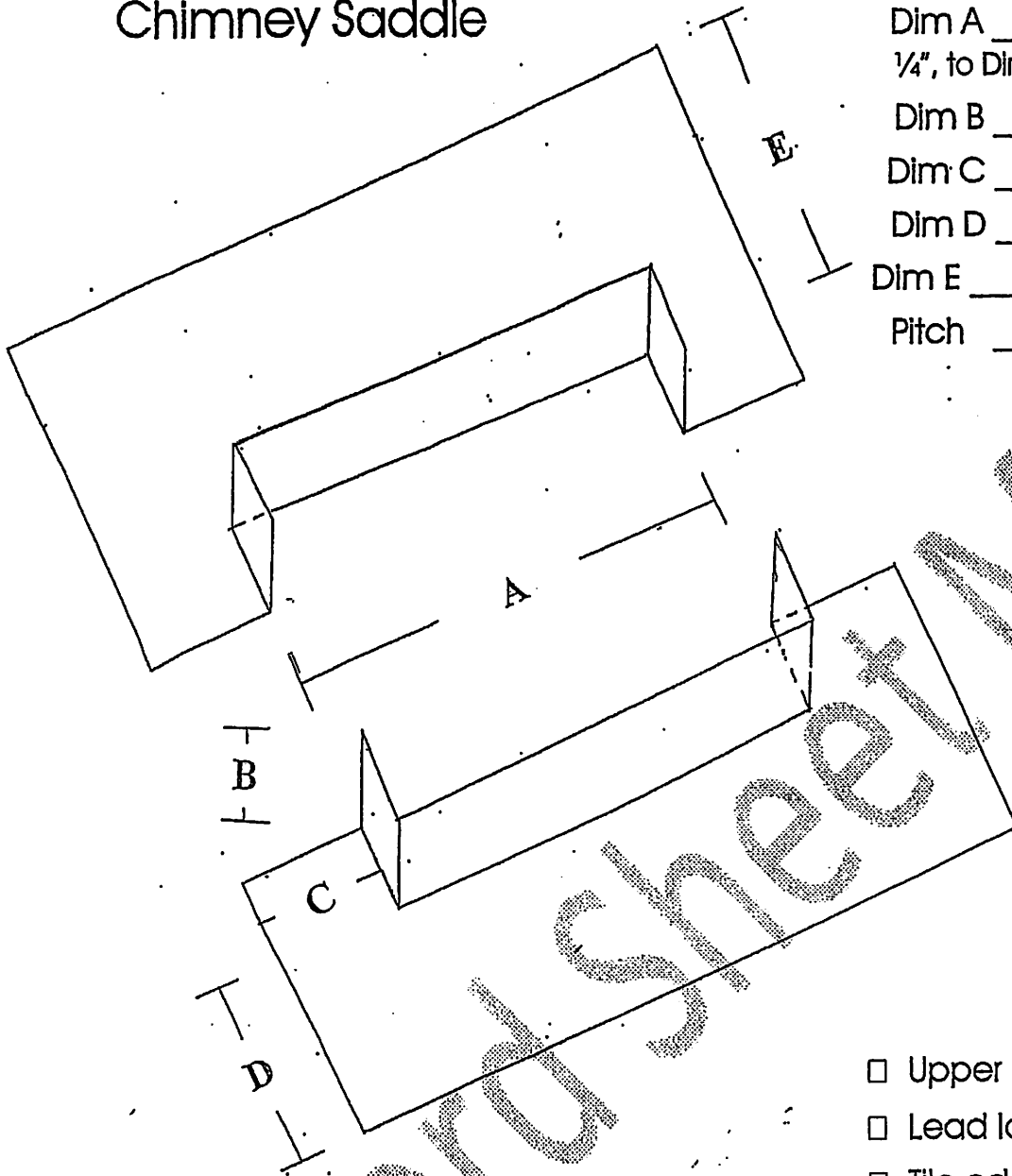


Chimney Saddle



Dim A _____ (Be sure to add 1/4", to Dim A for roofing paper.)
 Dim B _____ - 4" typical
 Dim C _____ - 6 1/2" typical
 Dim D _____ - 6" typical
 Dim E _____ - 12" typical
 Pitch _____/12

- Upper cricket
- Lead lower
- Tile edge

Customer information:

Contact: _____ Company Name: _____

Phone #: _____ Fax#: _____

Circle one:

Please quote. Fax to: _____

OR

I would like to place this order. PO # _____

signature

date

(PO # and signature required to begin production.)

Concord Sheet Metal

925-680-8723 phone ♦ 925-680-6569 fax

www.concordsheetmetal.com