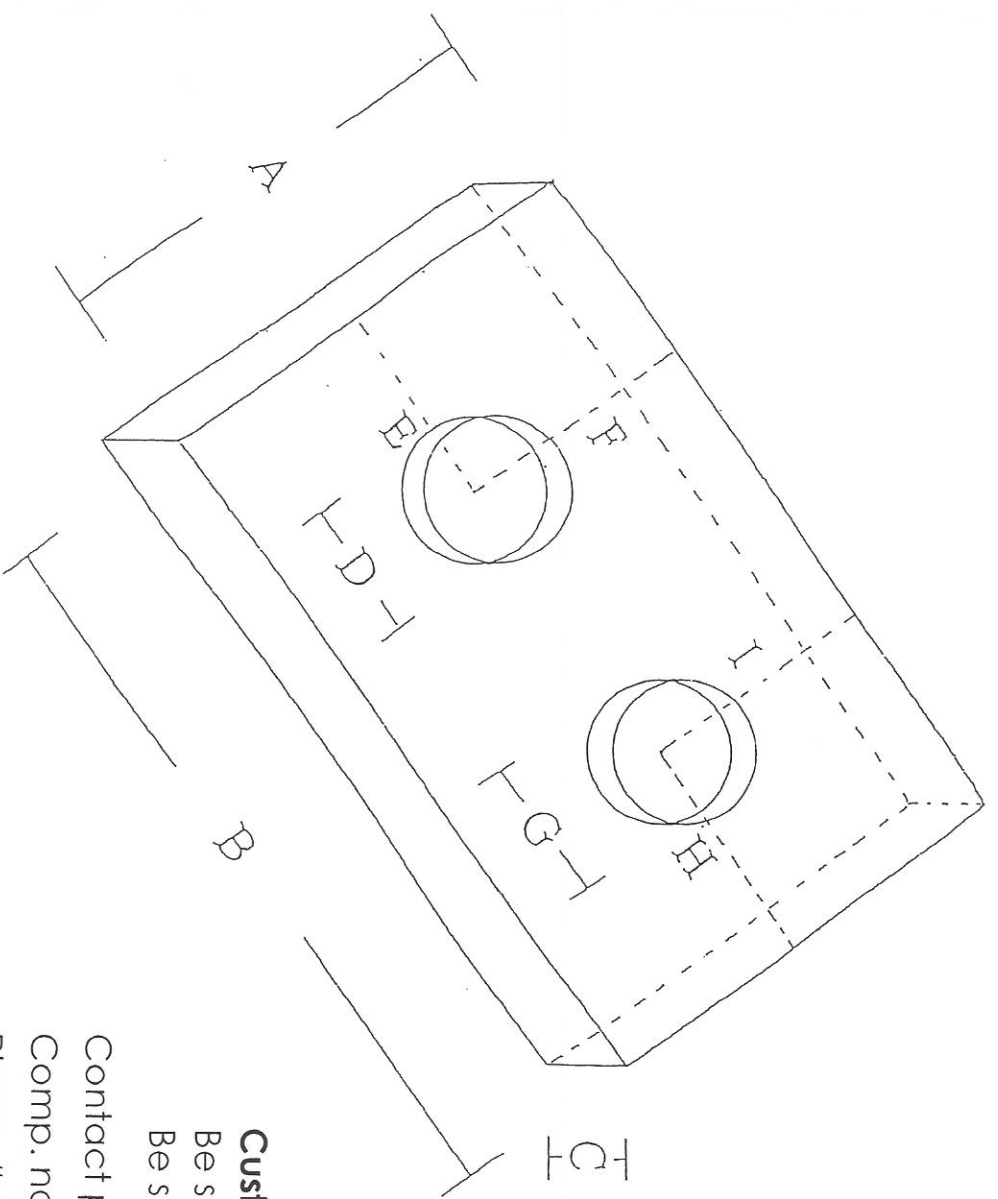


Double Collar Chase Cap



Dim A _____

Dim B _____

Dim C _____

Dim D _____

Dim E _____

Dim F _____

Dim G _____

Dim H _____

Dim I _____

Collar height _____

Cross break? Y / N _____

Material and gauge _____

Side option

____ Raw

____ Hem

____ Hem & kick

Customer:

Be sure you have added 1/4" to dim A & B.
Be sure you have added 1/2" to dim D.

Contact person: _____

Comp. name: _____

Phone #: _____

FAX #: _____

Circle one:

I would like a quote. Fax quote to: _____

I would like to place this order. PO # _____

signature _____ date _____

(Acct customers - PO# and signature required to begin production.)

Cash customers - payment is required in advance - cash, check, debit or credit.)

Concord Sheet Metal

925-680-8723 - 925-680-6569 fax

A Lemar Company