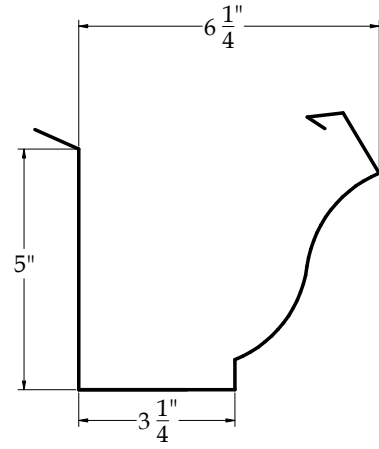
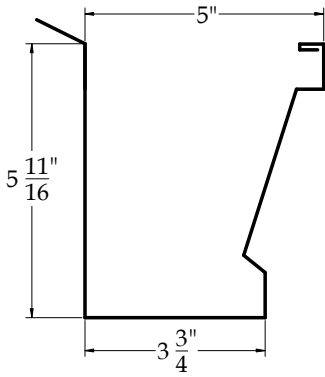


Eclipse Millennium

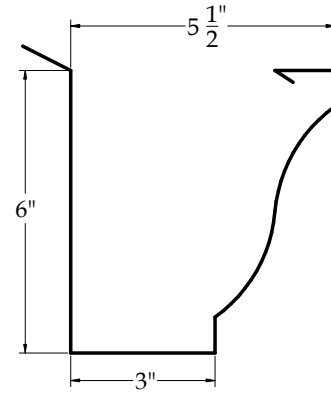
U.S. Design Patent No. US D454,180 S



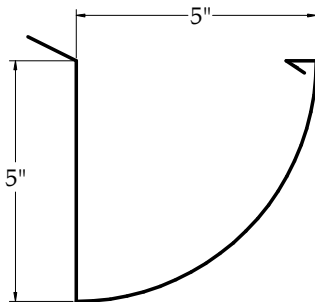
California Dreamin'



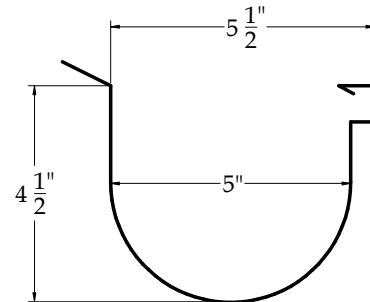
Tiburon



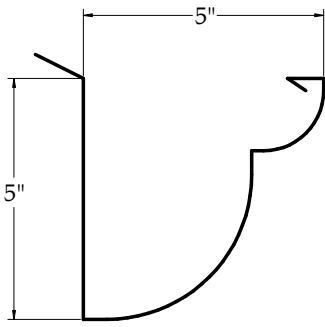
Contour Malibu



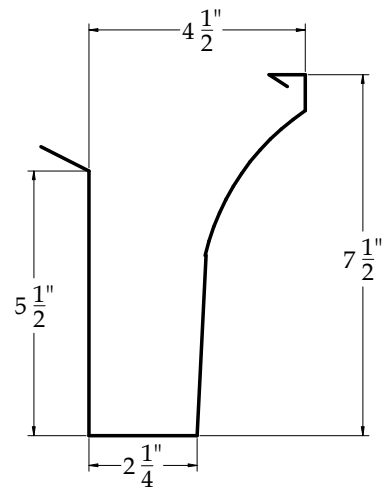
Crescent



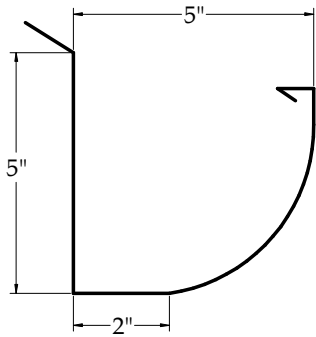
Mission



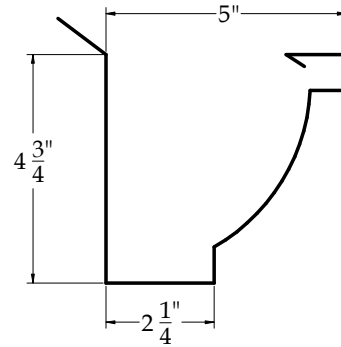
Crescent Crown



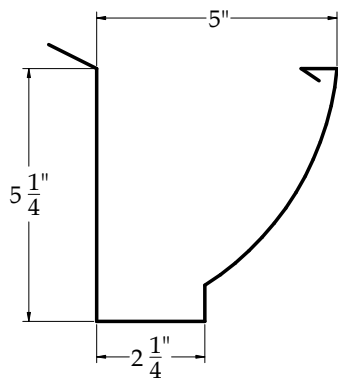
Tile Profile



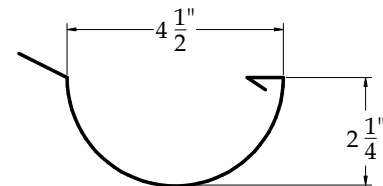
Crescent Bullnose



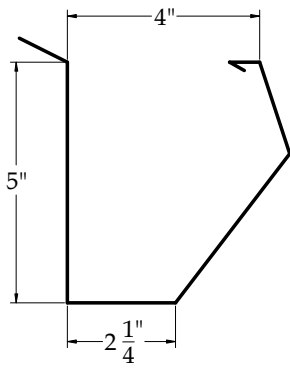
Crescent Legacy



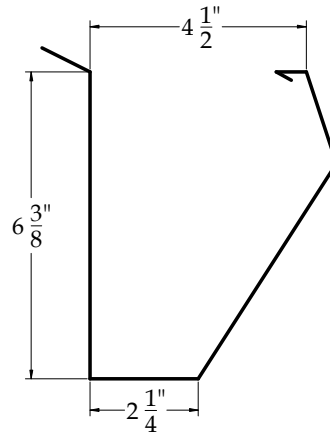
Crescent Cirrus



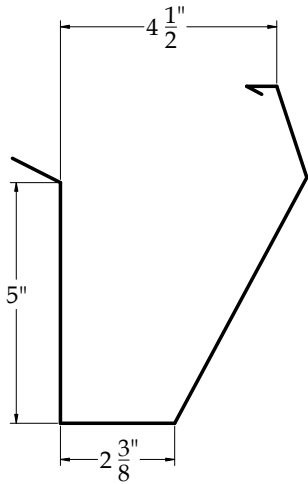
Crescent Oasis



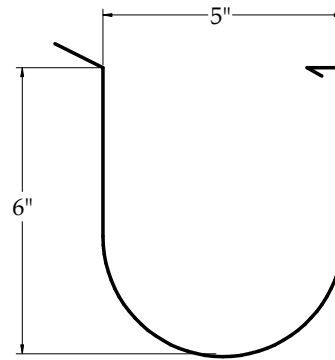
5" California



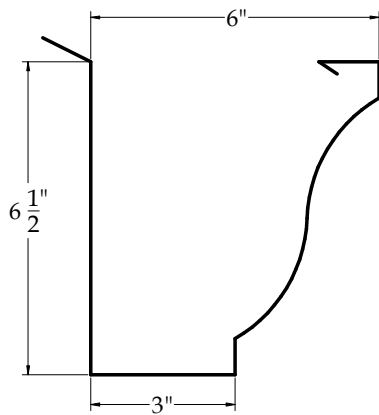
7" California



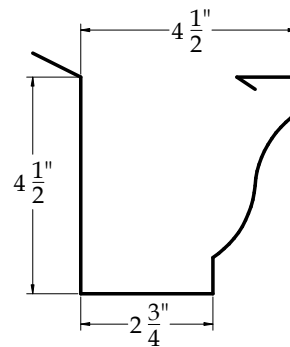
7" Tile California



Deep Mission



Contour Riviera



Contour Tahoe

Modern and Commercial Gutter Profiles  
Any Design, Any Gauge, Any Size - up to 20' lengths

